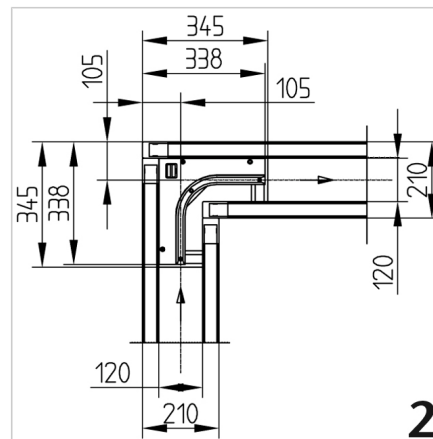
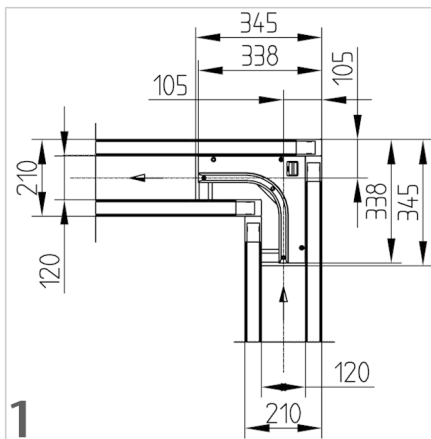
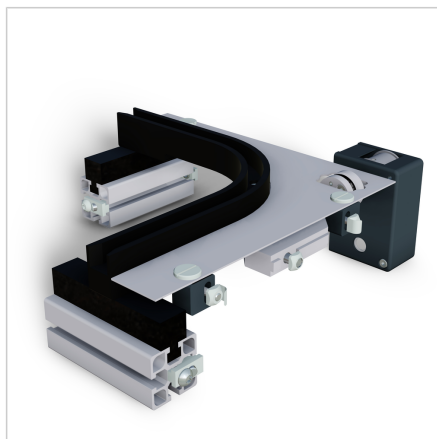


CURVE 200 - 90° RIGHT / LEFT

Code: 430050/0

[Link to the product →](#)



Technical data/items supplied

- 1 Traverse
- Friction wheel with drive roller
- Curved guide made of PE
- Cover AL
- Fastening material

Applications

- No separation before curve required
- Production of compact transfer systems, auxiliary connections or combined system concepts
- Suitable for track width 200

Assembly

- Place the friction wheel on the reverse unit (on the inlet side in the conveying direction)
- Assemble corners with curvilinear guide
- Screw on cover
- Through appropriate assembly design 1, alternative design 2 can be produced