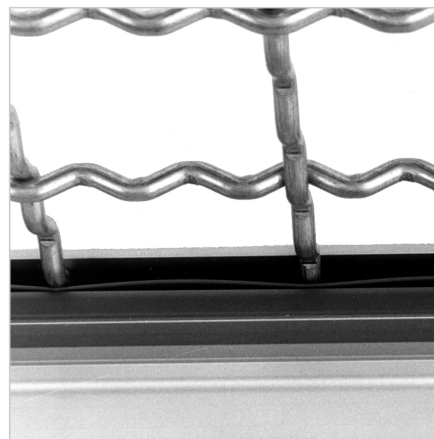
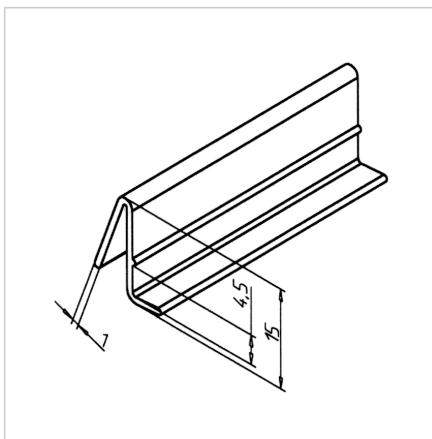


DISTANCE PROFILE L=2m

Code: 221039/0

[Link to the product →](#)



Technical data/items supplied

- ABS, extruded, grey
- Weight = 0.028 kg/m
- Bar length = 2 m

Applications

- Use in clamping profile 45 x 32 **part no. 201053/0** and clamping profile 32 x 32 **part no. 201070/0** for clamping surface elements
- Also for use with all other profiles to fix surface elements

Assembly

- Mount the profile frames with the surface elements
- Push in distance profile on the inside or knock in with a flat tool