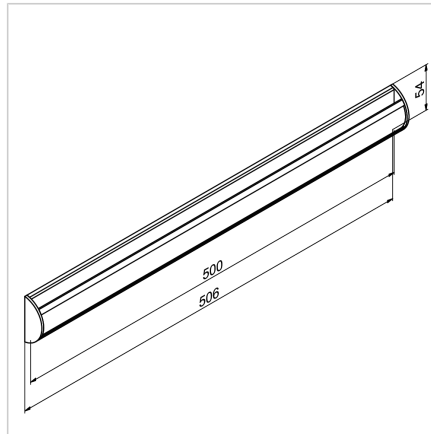
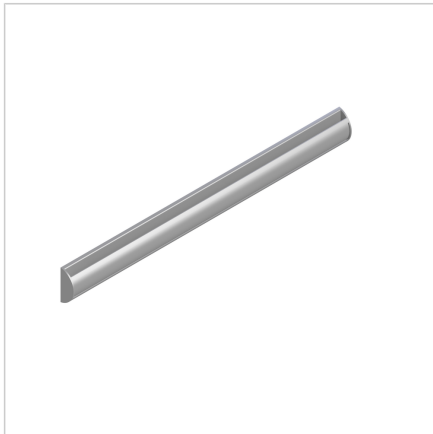


DOCUMENT BAR 500

Code: 320610/0

Drawing holder enables quick access and review of plans during work, while keeping documents intact and the workspace organized.

[Link to the product →](#)



Technical data/items supplied

- Aluminium anodized
- With clamping balls made of special glass
- Length: 505 mm
- Other dimensions upon request
- Weight = 0.300 kg/piece

Applications

- Safe attachment of large drawings, instructions, plans
- Simply slip-in papers from below
- Attach to portal construction by screwing or gluing with double-faced adhesive tape

Assembly

- Use the screws of fastening kit or fasten with adhesive tape on the back