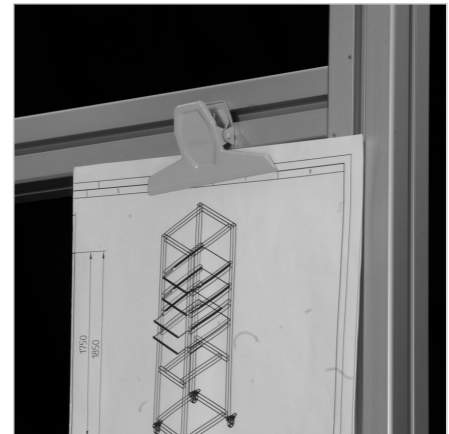
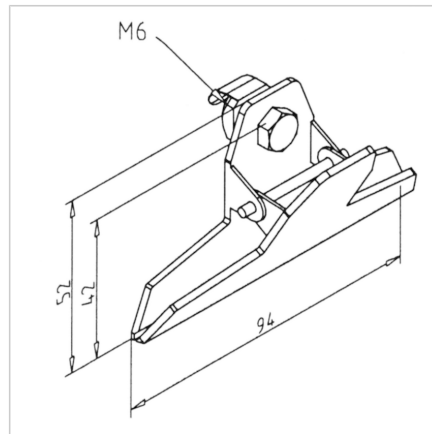


DOCUMENT CLIP

Code: 320609/0

Document clip provides reliable attachment and quick organization of documents in office or workshop, ensuring a tidy workspace.

[Link to the product →](#)



Technical data/items supplied

- Steel light grey, powder coated
- With fastening bore \varnothing 6mm
- Width x height 94 x 52 mm
- Weight = 0.048 kg/piece

Applications

- To fastening work instructions, work plans or the like to workbenches or other profile constructions

Assembly

- Insert square nut M6 into profile groove and fasten with the screw