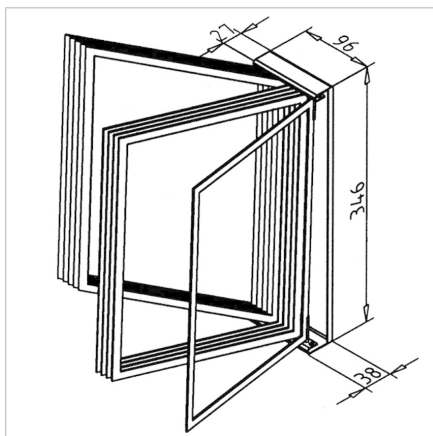
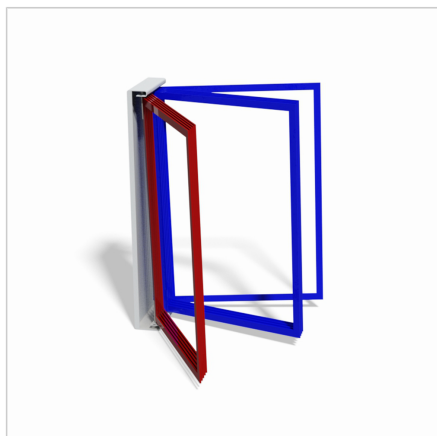


DOCUMENT SUPPORT

Code: 320605/0

Document holder reduces clutter, protects project documentation, and provides quick access and clarity at the workplace.

[Link to the product →](#)



Technical data/items supplied

- Steel bracket, powder coated light grey
- 10 DIN A4 boards, transparent
- Border per 5 in blue and red
- 5 Slip-on tabs
- Weight = 1.240 kg/piece

Applications

- Provision of job instructions, maintenance notes
- Control boards, general information
- Screw tight onto portal construction

Assembly

- Fastening with 2 hex socket cap screws M 06 x 16, 2 square nut M6 into profile groove
- ESD-design **part no. 320605/6**