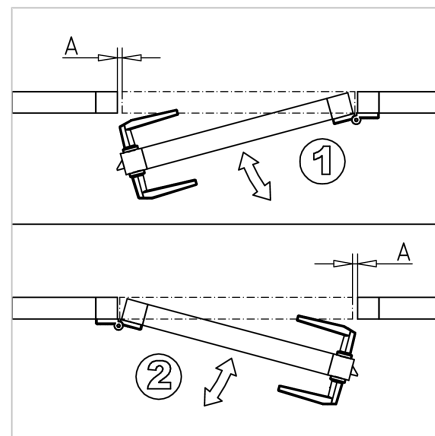
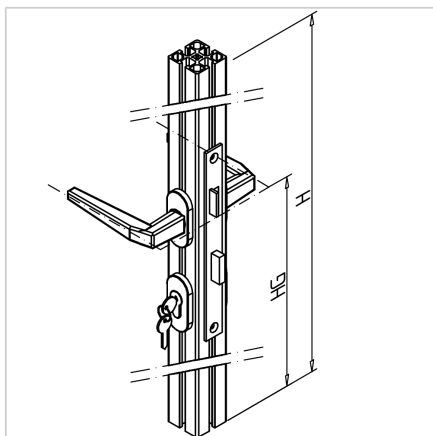
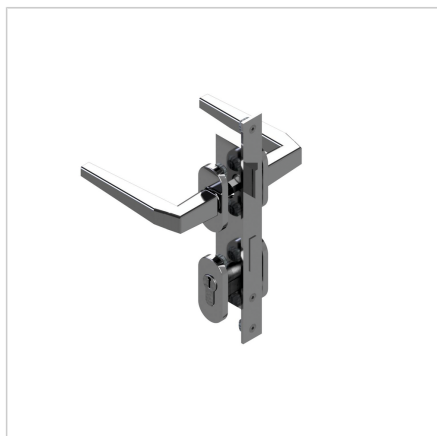


DOOR LOCK WITH PROFILE CYLINDER MOUNTING KIT WITH OUT PROFILE

Code: 211748/2

Cylinder lock set suitable for various aluminum constructions. Provides secure locking and easy operation in industrial environments.

[Link to the product →](#)



Technical data/items supplied

- Fittings aluminum, anodized
- Profile cylinder with 3 keys, mounted
- Weight = 1.093 kg/piece

Applications

- Swing doors for guard units
- Other embodiments and profiles on request, for Example, G - sided profile with fixed knob but without lock mounting

Assembly

- Allow 5mm space between door and frame
- Using lock plate **part no. 210966/0** with 10 mm gap
- Closing wedge engages in opposite groove
- If possible, position cross braces outside the lock area or screw in with countersunk screw M8 x 25