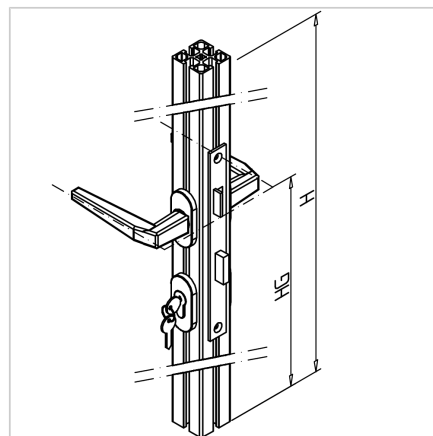
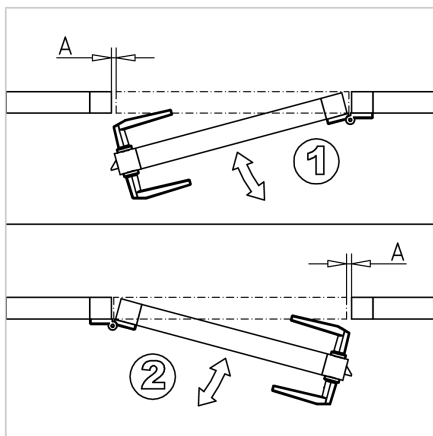


DOOR LOCK WITH PROFILE CYLINDER PROFILE LENGTH: 2000 MM

Code: 211748/0

Reliable and durable door lock designed for aluminum profile systems. Perfect for industrial doors, providing secure locking and smooth operation.

[Link to the product →](#)



Technical data/items supplied

- Door Lock steel, zinc-plated, fitted in profile 45x45
- Fittings aluminum, anodized
- Profile cylinder with 3 keys, mounted
- **Standard design:** H = 2000mm
HG = 1000mm
- **Other lengths and profiles on request**
- **Please specify dimension H and HG level**
- **Please specify a version 1 or 2**
- Construction set without profile **part no.** [211748/2](#)

Applications

- Swing doors for guard units
- Other embodiments and profiles on request, for Example, G - sided profile with fixed knob but without lock mounting

Assembly

- Allow 5mm space between door and frame
- Using lock plate **part no.** [210966/0](#) with 10 mm gap
- Closing wedge engages in opposite groove
- If possible, position cross braces outside the lock area or screw in with countersunk screw M8 x 25