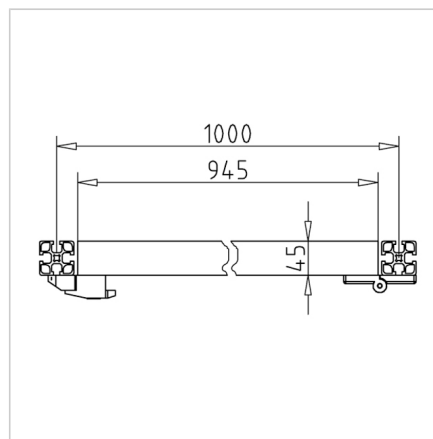
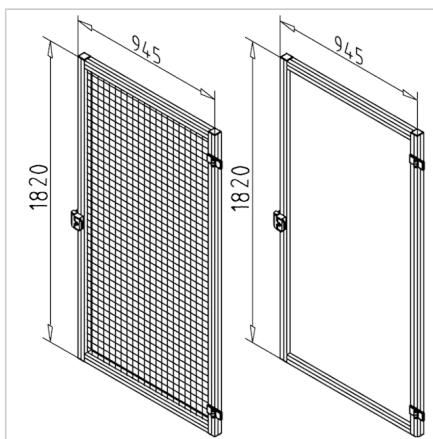


DOOR SG 1000 X 1820 PC - 45X45F FOR DIN RIGHT / LEFT IMPLEMENTATION

Code: 231414/0

Protective fence doors enhance safety, enable controlled access, and offer ergonomic use in production areas.

[Link to the product →](#)



Technical data/items supplied

- Made of profile 45 x 45 F
- Fully pre-assembled with lock and hinges
- With polycarbonate 5
- **Other versions upon request**
- Weight = 20.429 kg/piece

Applications

- As access to enclosures e.g. for maintenance

Assembly

- Install between two posts with groove spacing 1000 mm
- Mount lock stopper onto posts with 2 bores
- Suitable for left and right stop