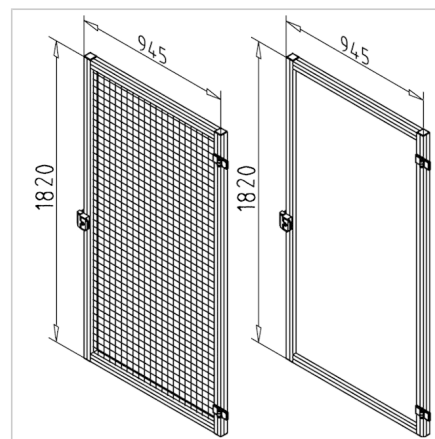
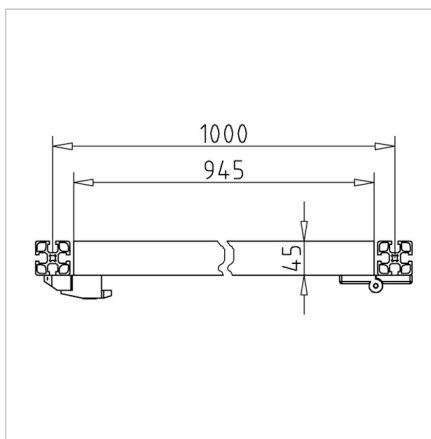


DOOR SG 1000 X 1820 WG - 45X45F FOR DIN RIGHT / LEFT IMPLEMENTATION

Code: 231404/0

Safety fence doors provide secure access in production, easy handling, and protect workers from hazardous zones.

[Link to the product →](#)



Technical data/items supplied

- Made of profile 45 x 45 F
- Fully pre-assembled with lock and hinges
- with corrugated mesh 40 x 40 x 4 mm, galvanised steel
- **Other versions upon request**
- Weight = 18.577 kg/piece

Applications

- As access to enclosures e.g. for maintenance

Assembly

- Install between two posts with groove spacing 1000 mm
- Mount lock stopper onto posts with 2 bores
- Suitable for left and right stop