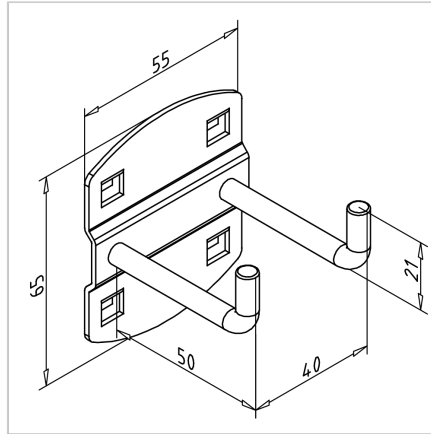
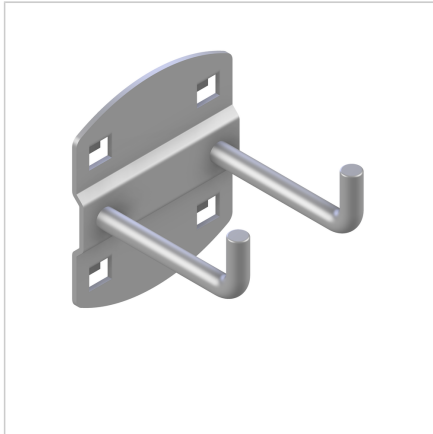


DOUBLE TOOL HOLDER WITH ANGLED HOOK END L=50mm

Code: 320655/0

Double tool holder with vertical hook end 50 mm saves space, ensures fast placement of small tools, and keeps order.

[Link to the product →](#)



Technical data/items supplied

- Steel, Pressure die-casting, powder-coated, grey
- Aluminum colored
- Hook Ø 6.3mm
- Impact and scratch resistant plastic coating
- Individually packaged incl. screws
- Weight = 0.068 kg/piece

Applications

- Provision of tools at workplace

Assembly

- Hook in the carrier plate and secure with the enclosed screw