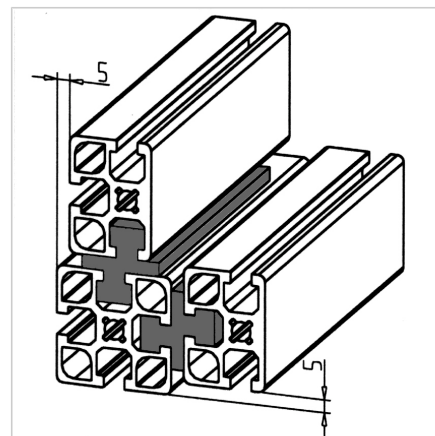
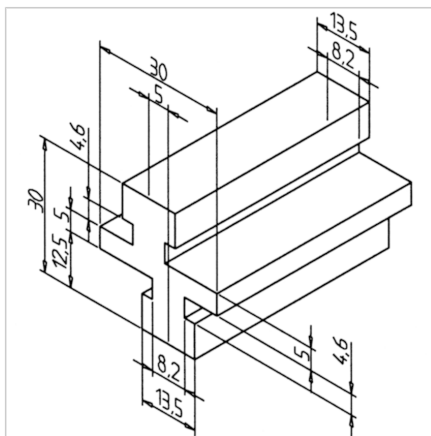
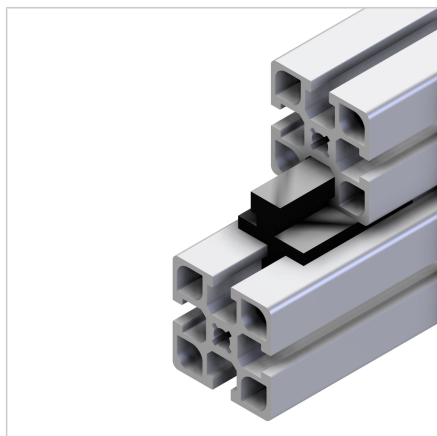


## DOUBLE SLIDE BAR

Code: 221087/0

Double slide rail for smooth drawer guidance and easy sliding of workpieces in profile constructions, with built-in protection against drawer pull-out.

[Link to the product →](#)



### Technical data/items supplied

- PE-UHMW, črn
- Posebej odporen proti obrabi, udarcem in neobčutljiv na praske
- Teža = 0,420kg/m
- Dolžina palice = 2 m

### Applications

- Simple workpiece slides
- Guiding drawers in profile grooves

### Assembly

- Slide into profile grooves of frame and drawers
- Secure drawers against falling out by cylinder screws M8 x 16 **part no. 21.1200/0** at both ends of the frame profile
- To reduce friction in moving parts, we recommend using the slide rail in short pieces with a maximum length of 100 mm