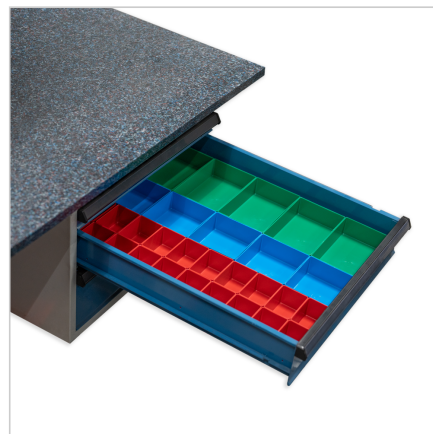
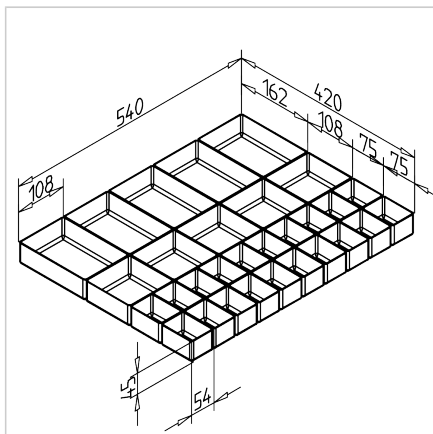
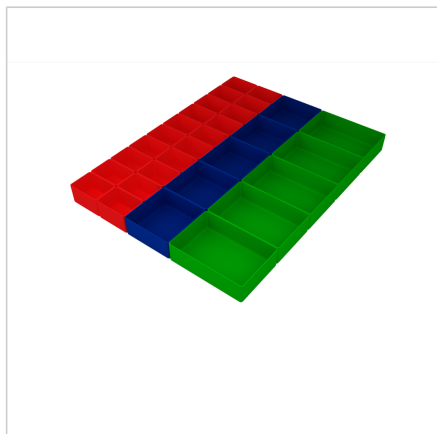


## DRAWER CONTAINER SET 2

Code: 320808/0

Workbench drawer organizers provide clarity and space saving with optimal tool arrangement.

[Link to the product →](#)



### Technical data/items supplied

- Drawer inside dimensions  
W x D 425 x 550 mm
- For panel height 100-300 mm
- 5 x Container green 108 x 162 x 45 mm
- 5 x case 108 x 108 x 45 mm
- 20 x Container red 54 x 75 x 45 mm
- Other arrangements on request
- High impact polystyrene
- The items with the **Art. no.:** 320671/0 **Organiser box yellow 108x54x45 mm, Art. no.:** 320672/0 **Organiser box red 54x54x45 mm, Art. no.:** 320673/0 **Organiser box, red 54x75x45 mm, Art. no.:** 320674/0 **Organiser box blue 108x108x45 mm, Art. no.:** 320676/0 **Organiser box green 162x108x45 mm**, can also be ordered separately.
- suitable for food, temperature resistant: -20 °C to +70 °C and free of bisphenol A (BPA)
- Weight = 1.005 kg/piece

### Applications

- For the transparent arrangement of small parts

### Assembly

- Easy to remove and reinstall