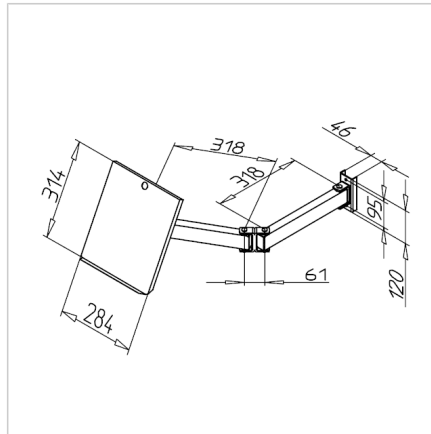
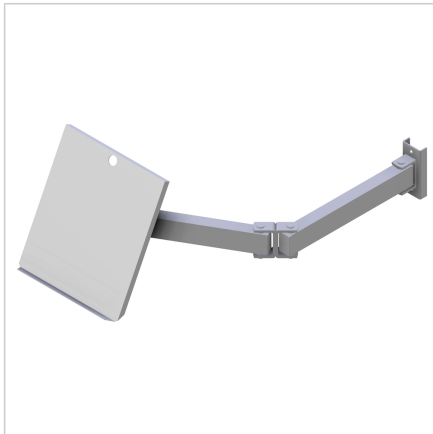


DRAWING HOLDER PLATE DOUBLE JOINT SWIVEL ARM

Code: 320608/0

Technical drawing and plan holder ensures clear visibility of project drawings and facilitates accurate and efficient project execution.

[Link to the product →](#)



Technical data/items supplied

- Steel light grey, powder coated
- With double-articulated swing boom
- For DIN A4 format
- Load capacity 150 N
- Delivery as construction set
- ESD on request
- Weight = 4.000 kg/piece

Applications

- For documents, control charts and drawings

Assembly

- Fasten to the portal structure