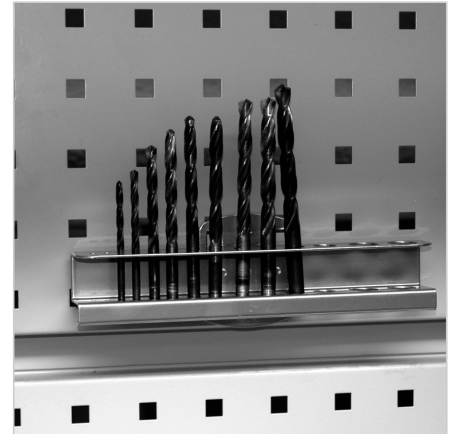
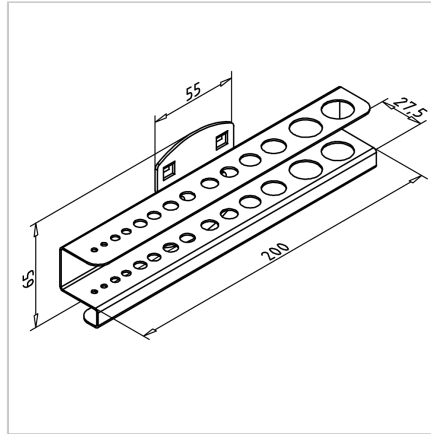
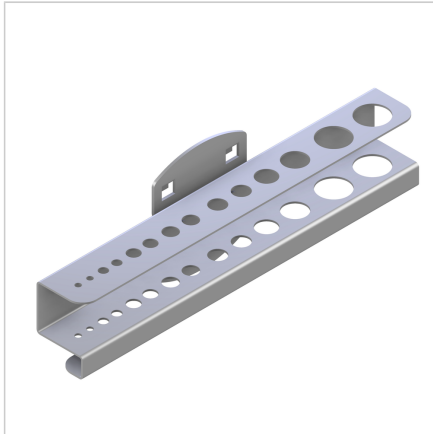


DRILL OR HEGAXON SOCKET HOLDER FOR 14 PARTS

Code: 320504/0

Drill bit and Allen key holder ensures tidy storage, space-saving, and easy tool handling.

[Link to the product →](#)



Technical data/items supplied

- Steel, Pressure die-casting, powder-coated, grey
- Aluminum colored
- Plastic coated
- Individually packaged incl. screws
- Weight = 0.340 kg/piece

Applications

- Bit holder for 14 parts 2 x Ø 3.2 mm, 2 x Ø 4.7 mm, 2 x Ø 6.7 mm, 2 x Ø 7.7 mm, 2 x Ø 8.7 mm, 1 x Ø 10.7 mm, 1 x Ø 12.7 mm, 2 x Ø 16.7 mm

Assembly

- Hook in the carrier plate and secure with the enclosed screw