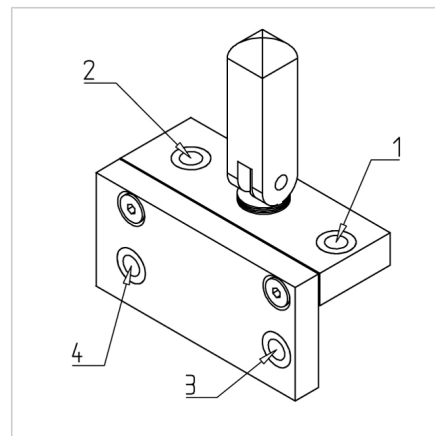
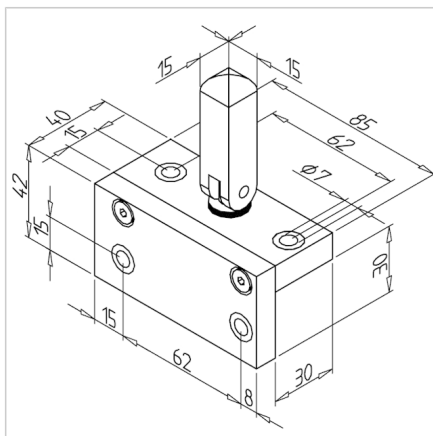
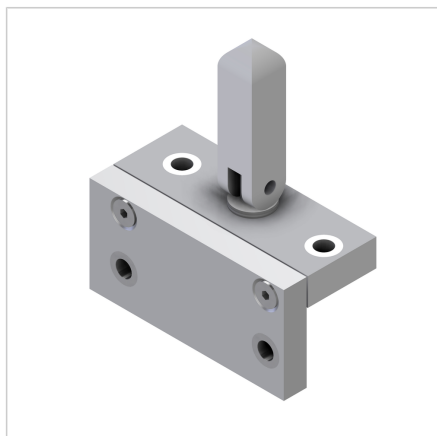


## DRILLING JIG 30

Code: 261065/0

Drilling jig for aluminum profiles series 30 ensures precise drilling, faster profile processing, and easy assembly of structures.

[Link to the product →](#)



### Technical data/items supplied

- Steel drill bushes  $\varnothing$  7 mm
- Eccentric clamp device
- Material: Aluminium
- Weight = 0.282 kg/piece

### Applications

- 1) Positioning of step drilling for screw-connection
- 2) Connection bore on profile panel for pneumatic screw connections
- 3) Pre-drilling for step drilling for screw connection of profile 32 x 32
- Fitting for all profiles of profile series 30

### Assembly

- Tighten the drilling jig to the profile groove and drill with a suitable drill through the provided bushing
- The bore  $\varnothing$  7 mm can be closed with plug 7 **part no. 221215/1**, should be used with our closed t-slot profiles