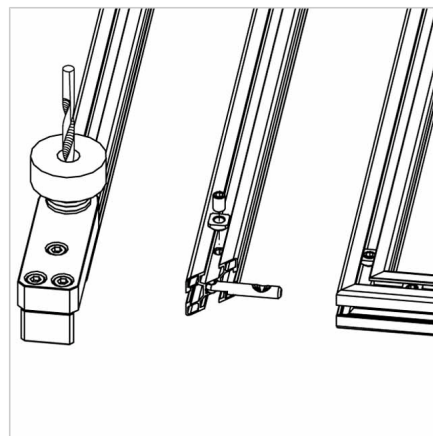
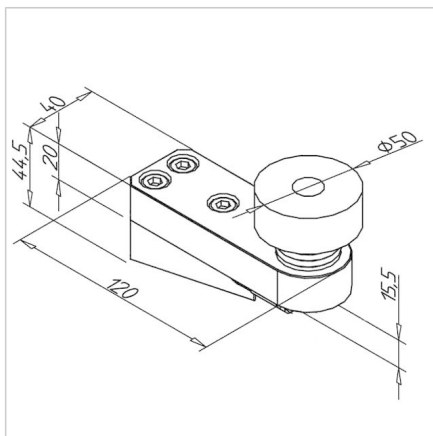
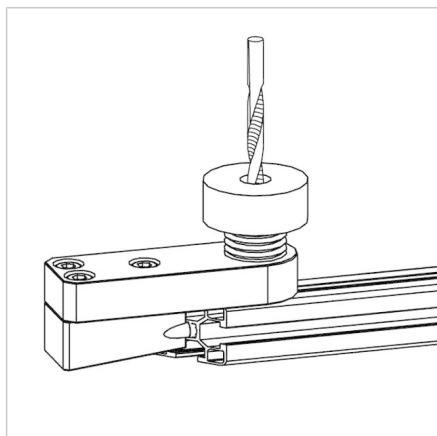


## DRILLING JIG FOR MITRE-CONNECTOR 30 (GVB-N30)

Code: 261063/0

Drilling jig for mitre connector 30 provides precise hole drilling, easy positioning, and quick preparation of aluminum profiles for assembly.

[Link to the product →](#)



### Technical data/items supplied

- Centering pin: steel
- Fixation screw: Plastic with steel bore bushing
- Material: Aluminium
- Weight = 0.408 kg/piece

### Applications

- Positioning of bore for set screw of mitre connector 30 in relation to mitre angle
- Fitting for all profiles of profile series 30

### Assembly

- Cut profile in desired angle
- Insert the plug gauge until the stop, tighten the plastic locking screw
- Insert bore  $\varnothing 8.0$  mm into profile at corresponding depth through drill bush
- Insert a drilling jig 30 **part no. 211890/0**