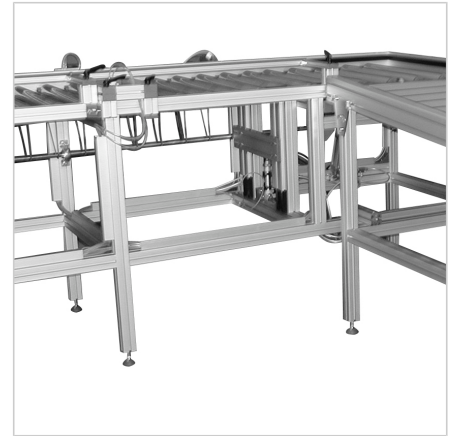
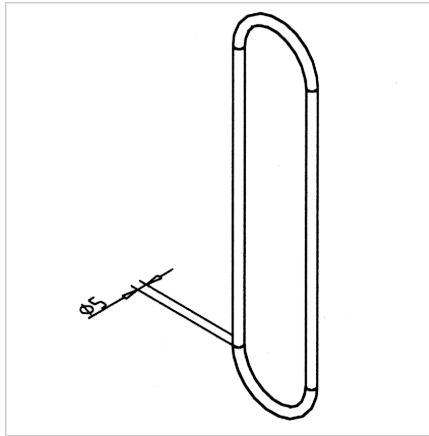
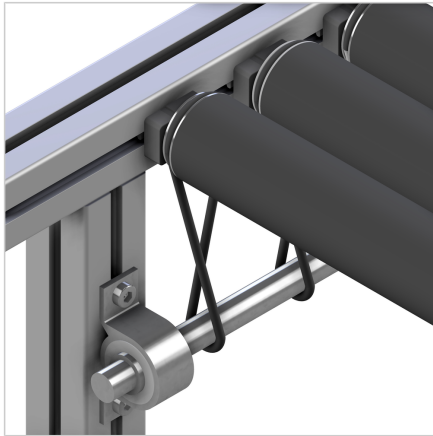


DRIVE BELT PU L=550; D=5; ENDLESS FOR ROLLER CONVEYOR

Code: 211050/7

[Link to the product →](#)



Technical data/items supplied

- PU, green
- \varnothing 5 mm
- Endless length 550 mm
- Weight = 0.050 kg/piece

Applications

- Drive of conveyor rollers via king shaft
- When driving roller pairs, one obtains a center distance $A = 207$ mm

Assembly

- Strip driving belt over driving shaft
- Strap the belt over individual rollers and clip
- Rolls in inaccessible places with drive belt NBR **part no. 211050/1** bis **part no. 211050/6** connect