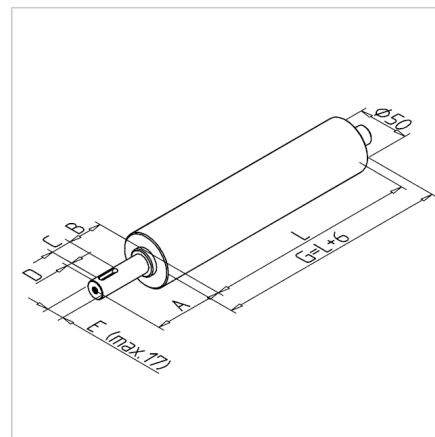
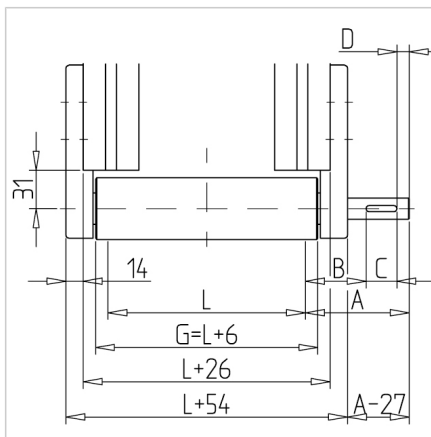


## DRIVE DRUM 45ST L (BELT WIDTH) = MM

Code: 210995/0

[Link to the product →](#)



### Technical data/items supplied

- Stainless steel
- Turned round
- Shaft journal max.  $\varnothing$  17 mm
- **Please indicate belt width as dimensions A, B, C, D and E (if smaller  $\varnothing$  17 mm)**
- If end face fixing thread is required, please state under F: (thread diameter and length)
- **Attention: L is not the external dimensions(G) of the conveyor  $\varnothing$ 50**
- Weight = (basic weight) approx. 0.3 kg
- Extra weight = 1.541 kg/100mm belt width

### Applications

- MiniTec belt conveyor system
- Suitable for conveyor bearing, e.g. **part no. 210993/0**
- On request we can deliver the conveyor with mounted ball bearings. The bearings are gentle on material, hot pressed. Please additionally following **part no. 21.0900/0** order.

### Assembly

- Belt driving cylinder in conveyor bearing with bore e.g. **part no. 210993/1** insert
- On the opposite side conveyor bearing e.g. **part no. 210993/0** mount
- The drum is sealed between the inner rings of the self-aligning bearing and the drum bearing