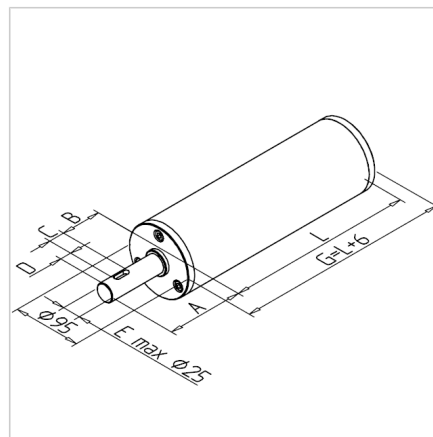
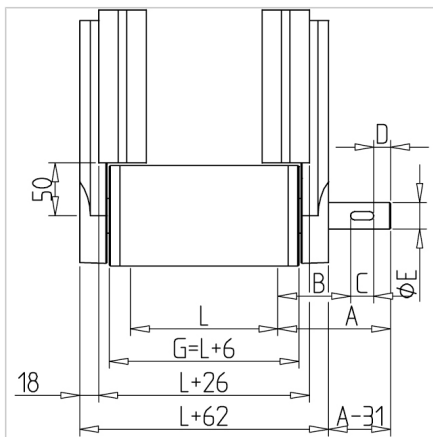


DRIVE DRUM 90

Code: 210981/0

[Link to the product →](#)



Technical data/items supplied

- Aluminium with shaft made of steel
- Turned round
- Shaft journal max. \varnothing 25 mm
- **Please specify dimension L (belt width) as well as dimensions A, B, C, D and E (if smaller \varnothing 25 mm)**
- If end face fixing thread is required, please state under F: (thread diameter and length)
- **Attention: L is not the outer diameter of the conveyor \varnothing 95**
- Weight = (basic weight) approx. 0.7 kg
- Extra weight = 1.506 kg/100 mm belt width

Applications

- MiniTec belt conveyor system
- Use fitting conveyor bearing **part no. 210985/0** and **part no. 210985/1**
- Upon request, we can supply the conveyor with mounted ball bearings. The bearings are hot pressed in a material-friendly manner. In addition, please order the following **part no. 21.0902/0**.

Assembly

- Insert belt driving cylinder in conveyor bearing with bore **part no. 210985/1**
- Mount conveyor bearing at opposite part **part no. 210985/0**
- The drum is sealed between the inner rings of the self-aligning bearing and the drum bearing