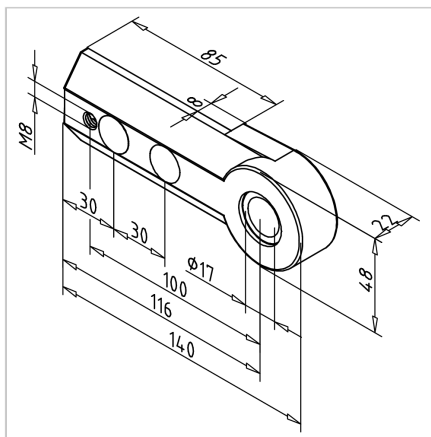


DRUM BEARING 45 FOR DRIVE

Code: 210993/1

[Link to the product →](#)



Technical data/items supplied

- Aluminium, Pressure die-casting, powder-coated, grey
- With bore for drive adapter
- Self-aligning bearing with bore \varnothing 17 mm, sealed on both sides
- Version in aluminium GD, with stainless bearing and fastening kit, conveyor bearing 45 H, **part no. 210993/6**
- Stainless version, conveyor bearing 45 VA with bore, **part no. 210980/0**
- Weight = 0.287 kg/piece

Applications

- Reversing unit and belt driving cylinder of conveyor belts
- Attachment of plug in motors or chain wheels to through shaft up to max. \varnothing 17 mm
- Can be retrofitted with intervention protection **part no. 210909/9**

Assembly

- Pre-mount conveyor bearing to profile end
- When using swivel plates **part no. 295001/0** for mounting the substructure, these serve as counter-bearings for clamping, otherwise use multi-block or mounting angle bracket
- Tighten the conveyor belt by unscrewing the set screw, if necessary reset the tool
- Firmly tighten the conveyor bearing (recommended tightening torque: 25 Nm)