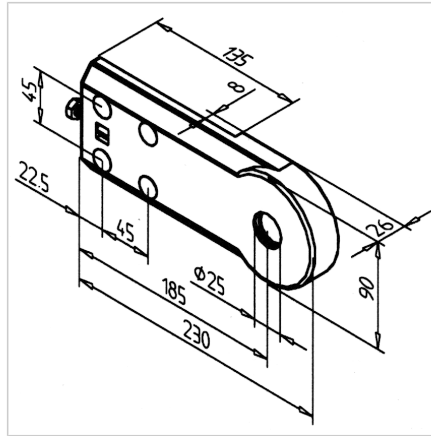


DRUM BEARING 90 FOR DRIVE

Code: 210985/1

[Link to the product →](#)



Technical data/items supplied

- Aluminium, Pressure die-casting, powder-coated, grey
- With bore for drive adapter
- Self-aligning bearing with bore \varnothing 25 mm, sealed on both sides
- Weight = 0.830 kg/piece

Applications

- Reversing unit and belt driving cylinder of conveyor belts
- Attachment of motors or chain wheels, or belt pulleys on shaft; max. \varnothing 25 mm

Assembly

- Pre-mount conveyor bearing to profile end
- As counter bearing for tightening of connection plate 32 x 90 or 45 x 90
- Tighten the conveyor belt by unscrewing the set screw, if necessary reset the tool
- Firmly tighten the conveyor bearing (recommended tightening torque: 25 Nm)