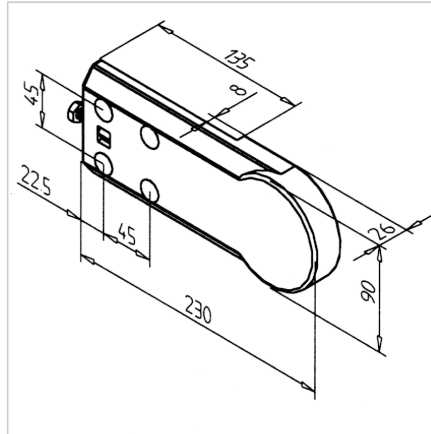


## DRUM BEARING 90

Code: 210985/0

fdsfsdfs

[Link to the product →](#)



### Technical data/items supplied

- Aluminium, Pressure die-casting, powder-coated, grey
- Self-aligning bearing with bore  $\varnothing$  25 mm, sealed on both sides
- Weight = 0.830 kg/piece

### Applications

- Reversing unit and belt driving cylinder of conveyor belts

### Assembly

- Pre-mount conveyor bearing to profile end
- As counter bearing for tightening of connection plate 45 x 90
- Tighten the conveyor belt by unscrewing the set screw, if necessary reset the tool
- Firmly tighten the conveyor bearing (recommended tightening torque: 25 Nm)