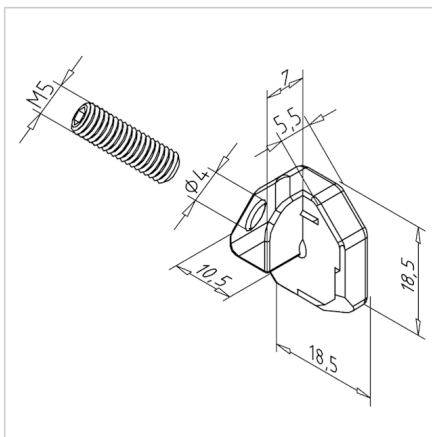
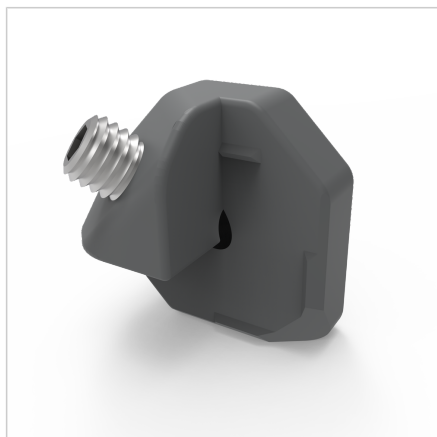


## EARTHING BLOCK FOR PANEL ELEMENTS

Code: 221163/0

[Link to the product →](#)



### Technical data/items supplied

- PP
- Weight = 0.003 kg/piece

### Applications

- For conductive connection of aluminium or steel sheets with the profile frame from 1.5mm - 2.5mm thick, please use our earthing block Part no. **221163/0**. 1 earthing block is sufficient for each surface element. The metal sheet is fixed in the profile frame in combination with our insert seal 2.

### Assembly

- Insert socket into profile groove
- Insert bored surface elements
- Screw down the surface elements
- Recommended flat head screw M6x12 **part no. 212074/0** up to 3 mm disc thickness or M6x16 **part no. 211246/0** for greater strengths