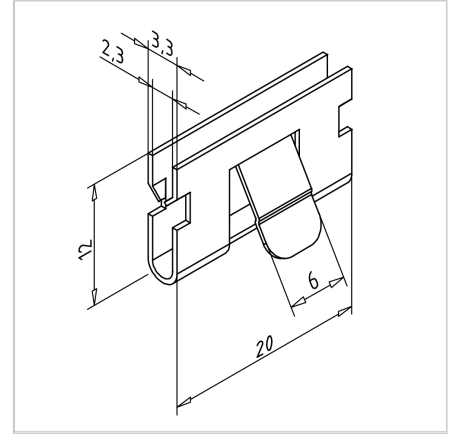
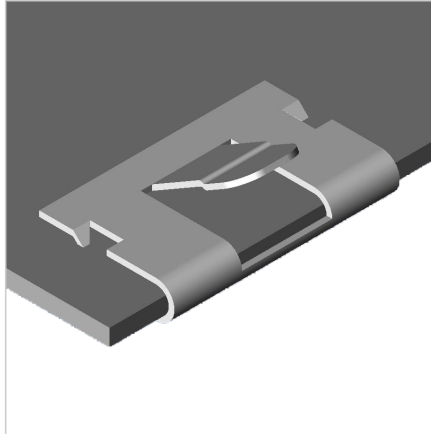


EARTHING CLAMP

Code: E90141/0

[Link to the product →](#)



Technical data/items supplied

- Steel, Pressed, galvanized
- Weight = 0.002 kg/piece

Applications

- For grounding sheet metal and thin-walled components with wall thickness of 0.7 - 2 mm
- Especially suitable for:
Cable duct AL **part no. 201051/0**
Cable duct 45 AL **part no. 201071/0**
Cable duct 90 AL **part no. 201056/0**

Assembly

- Attach to sheet metal edge
- Safe support and conductive connection is provided by claws
- For the connection of the earthing cable with 6 mm flat plug