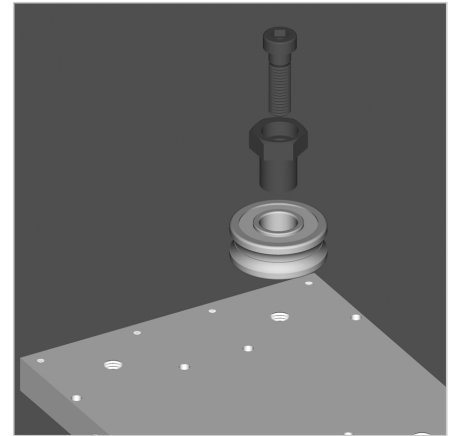
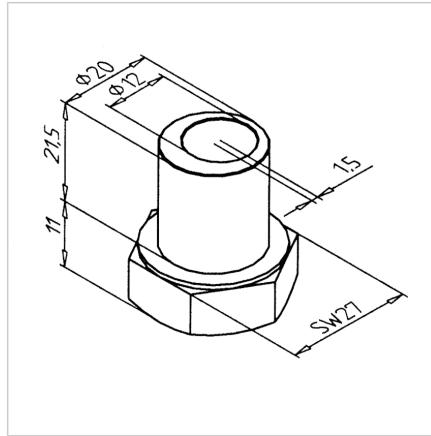


ECCENTRIC BUSH LR 16

Code: 280813/0

[Link to the product →](#)



Technical data/items supplied

- Steel, zinc phosphated, black
- Weight = 0.059 kg/piece

Applications

- MiniTec linear guide LR16
- Eccentric fastening of ball bearings LR 16

Assembly

- Screw M12 x 45 **part no.** 21.1157/0
Insert in eccentric bushing and mount loose with bearing
- Adjust the bearing to achieve zero clearance by turning the eccentric bush with the spanner (size 27) (turn back to 0.9 - 1 Nm) and hold the eccentric bush in this position, tighten the bolt
- Recommended torque: 50 Nm