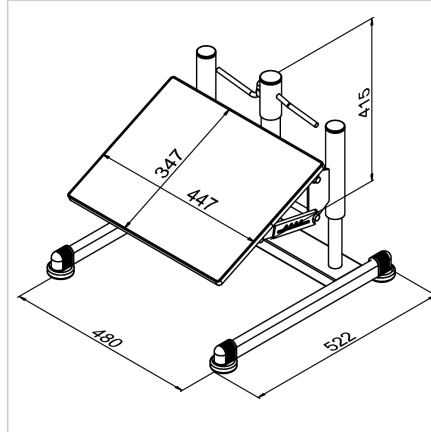
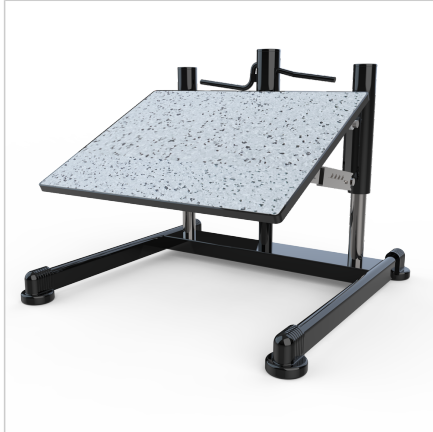


ECO-B ESD FOOTREST

Code: 320156/0

ECO-B ESD footrest ensures ergonomics, protects against static electricity, and enhances comfort at the workstation.

[Link to the product →](#)



Technical data/items supplied

- Fully assembled
- A stable frame W/D 530 x 520 mm made of a precision steel tube, coated in black with abrasion-resistant furniture glides.
- Tread with a conductive rubber covering W/D 400 x 340 mm
- Height-adjustable and inclinable
- Gas spring height adjustment from 100 -340 mm.
- Tilting from 8° to 25° is possible
- Free-standing
- Weight = 11.000 kg/piece

Applications

- Facilitates proper sitting at the table