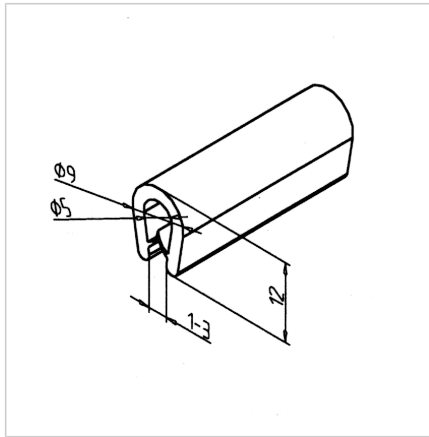
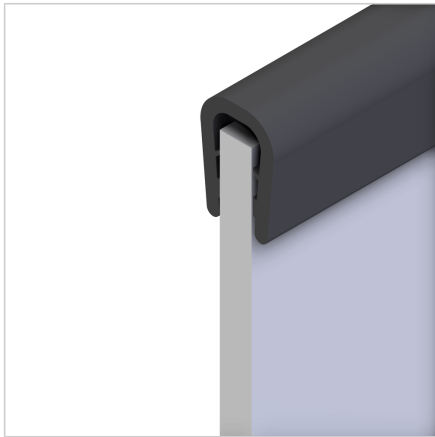


EDGE PROTECTION 1 - 3 BLACK SMOOTH

Code: 221036/10

Edge protection for panels and grooves of aluminium profiles, providing effective damage protection and extending the lifespan of surfaces.

[Link to the product →](#)



Technical data/items supplied

- PVC, black
- Roll length 100 m
- Steel plate reinforced
- Weight = 0.120 kg/m

Applications

- Edge protection for surface elements
- Protection of MiniTec conduit
- Protection of bores and openings

Assembly

- Press onto edge of panel element