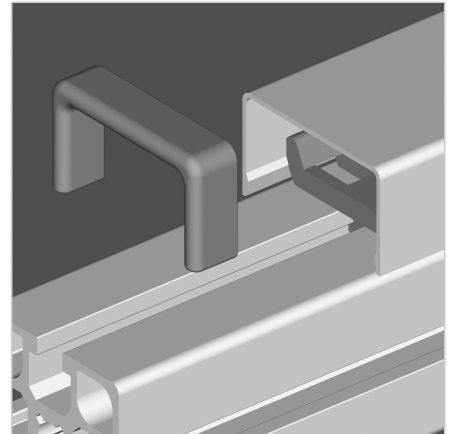
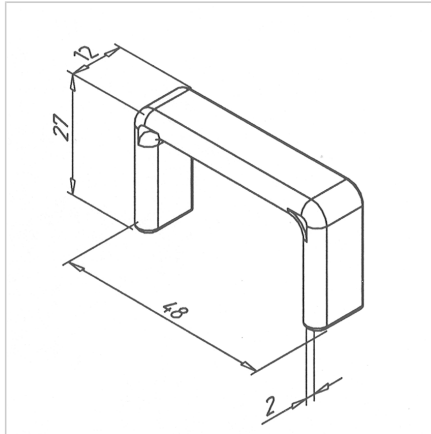
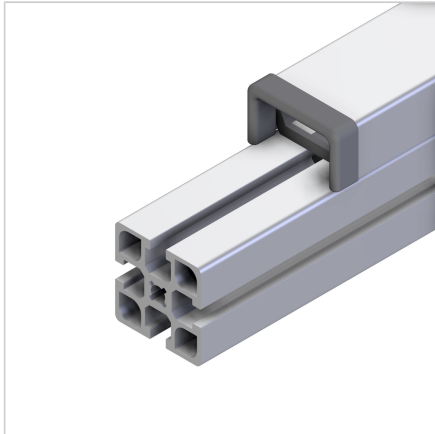


## EDGE PROTECTION FOR CONDUIT 45 AL

Code: 221117/1

Edge protection for conduit 45, preventing edge damage and extending duct lifespan.

[Link to the product →](#)



### Technical data/items supplied

- ABS, Injection Mould, grey
- Weight = 0.005 kg/piece

### Applications

- Edge protection for Cabel Canal 45 AL

### Assembly

- Simply push onto the end of the cable duct