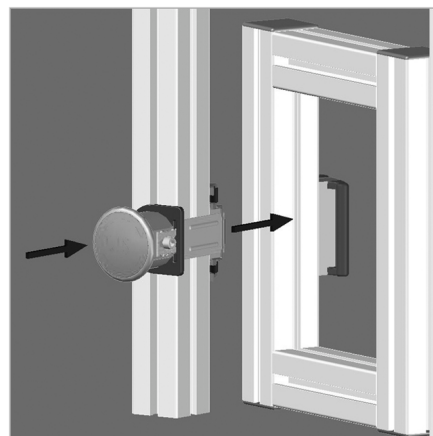
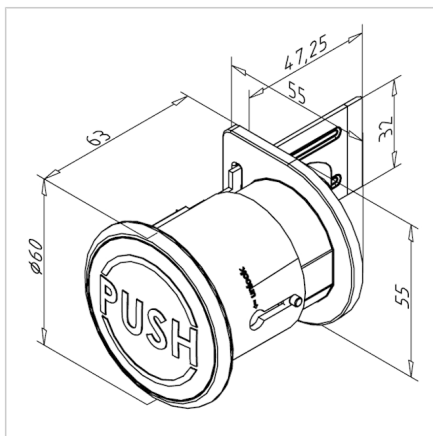
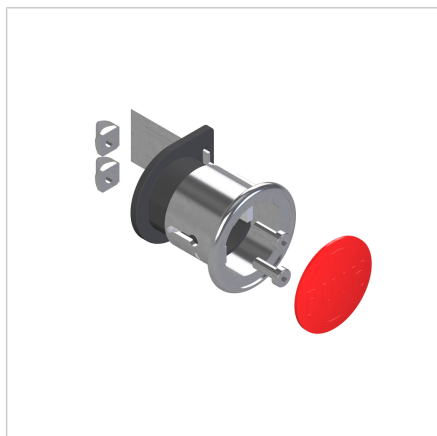


## EMERGENCY RELEASE FOR TRUNK LOCK

Code: 212316/0

Emergency release for rim latch lock enables quick and safe door unlocking in emergencies, ensuring safety and ease of use.

[Link to the product →](#)



### Technical data/items supplied

- Plastic / steel zinc plated
- Fastening kit
- Weight = 0.123 kg/piece

### Applications

- Assembly in connection with our trunk lock **part no. 212311/0** or trunk lock with request **part no. 212323/0**
- To open the door from the inside, on the outside lock attached
- Also works with closed latch lock
- When emergency release is snapped into place, closure of door is prevented

### Assembly

- Fasten with supplied hardware on the back of the post