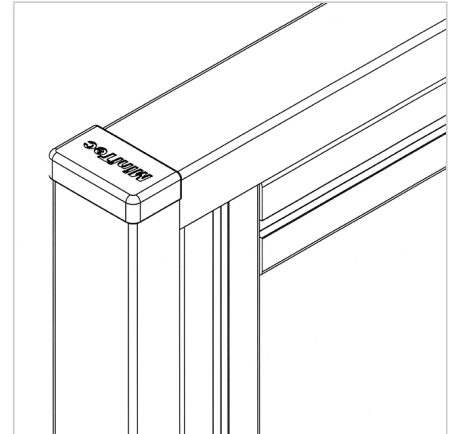
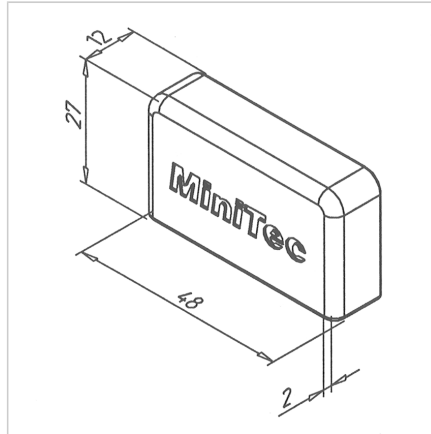
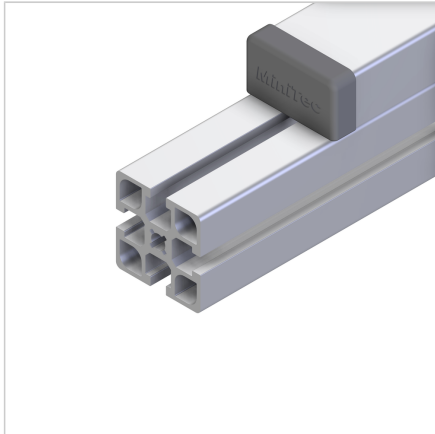


END CABLE DUCT 45

Code: 221116/1

End cap for conduit 45, providing a neat and secure closure for aluminum cable ducts.

[Link to the product →](#)



Technical data/items supplied

- ABS, Injection Mould, grey
- Weight = 0.006 kg/piece

Applications

- Finish the cable duct 45
- Production of external angle with cable canal 45 AL

Assembly

- Simply push onto the end of the cable duct