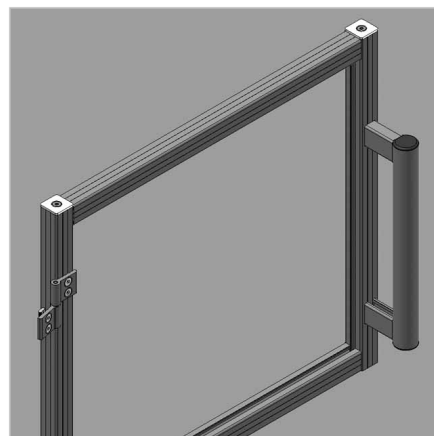
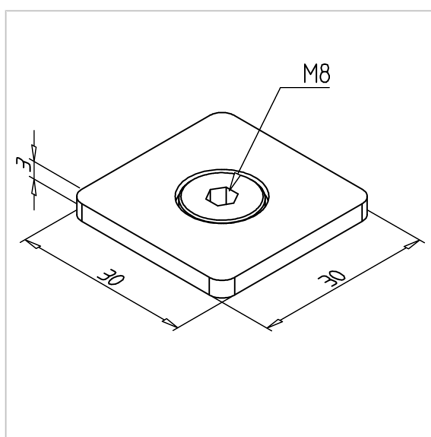


END CAP 30X30 ALU

Code: 221149/2

Profile end cap 30 x 30. Aluminium end cap for sealing and protecting aluminium profile edges. Easy installation and reliable protection.

[Link to the product →](#)



Technical data/items supplied

- Aluminium, anodized E6/EV1
- Weight = 0.011 kg/piece

Applications

- End face cover of series 30 profile ends

Assembly

- Insert and screw on the thread M8 into the central hole in the end face of the profile