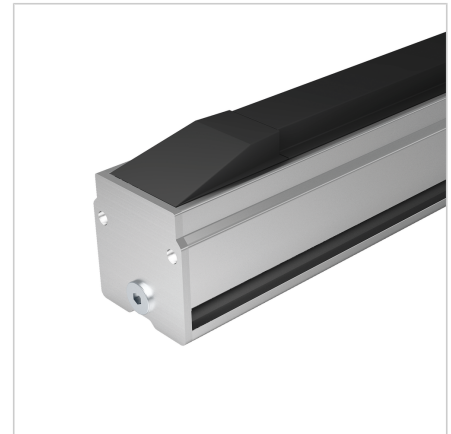
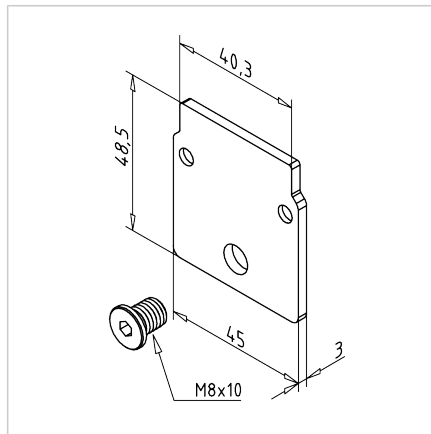


End cap 45 FRS ALU

Code: 221187/0

End cap 45 FRS provides a secure profile closure and ensures stable attachment of all installed elements within the profile.

[Link to the product →](#)



Technical data/items supplied

- Stainless steel
- Weight = 0.053 kg/piece

Applications

- For closing off the profile cross-section and for fixing the installed elements in profile 45 FRS **article no. 201152/0**

Assembly

- Insert and screw on the thread M8 into the central hole in the end face of the profile