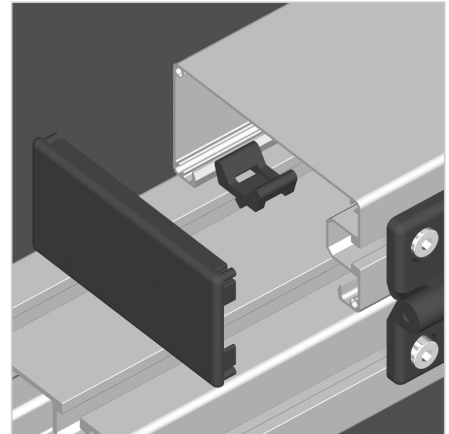
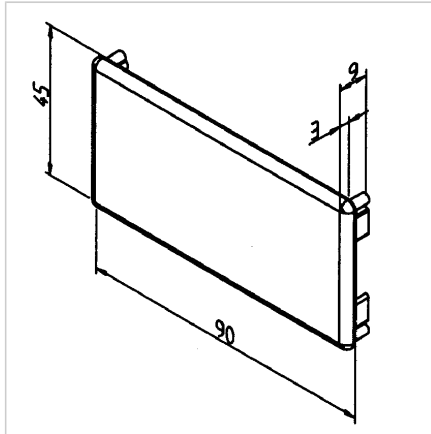
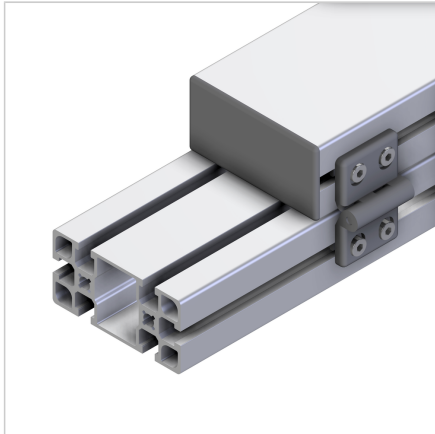


## END CAP CONDUIT 90 AL GREY

Code: 221045/0

End cap for conduit 90, providing a neat and secure closure for aluminum cable ducts.

[Link to the product →](#)



### Technical data/items supplied

- ABS, Injection Mould, grey
- Weight = 0.011 kg/piece

### Applications

- Termination of cable canal 90 AL
- Constructions of corners on outside face

### Assembly

- Simply push onto the end of the cable duct