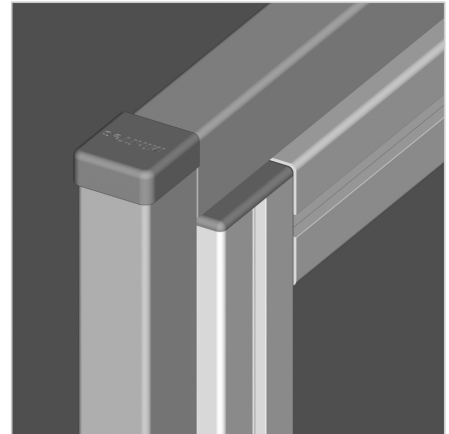
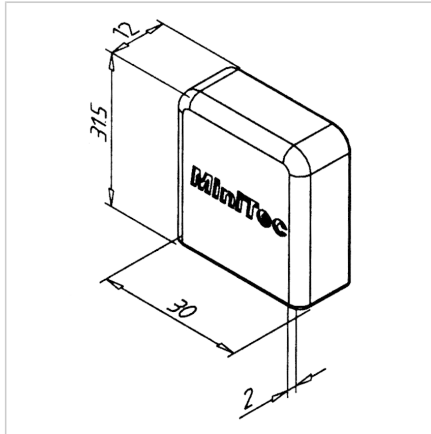
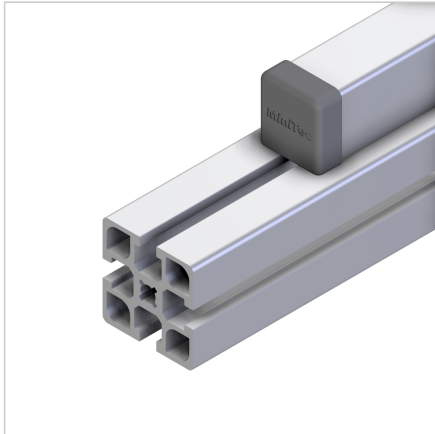


END CAP CONDUIT AL

Code: 221119/1

End cap for conduit 27, providing a neat and secure closure for aluminum cable ducts.

[Link to the product →](#)



Technical data/items supplied

- ABS, Injection Mould, grey
- Weight = 0.004 kg/piece

Applications

- End cap for conduit AL
- Manufacture external angles with cable duct AL

Assembly

- Simply push onto the end of the cable duct