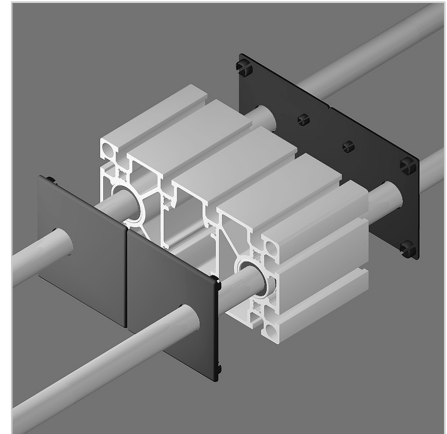
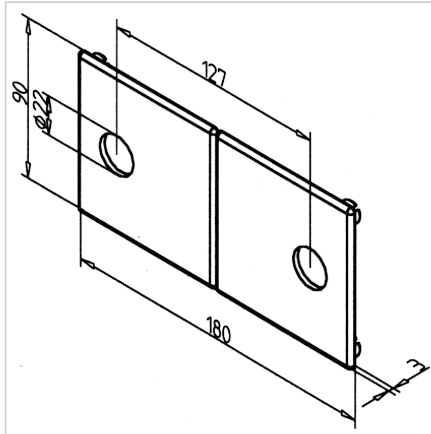
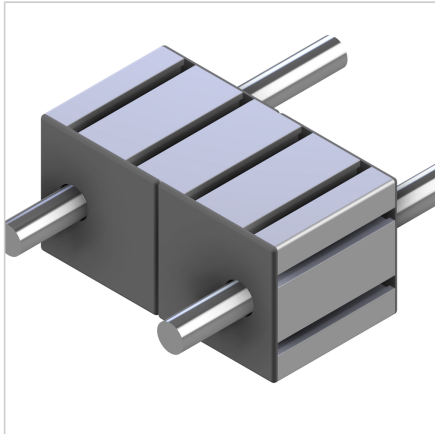


END CAP LB 180 BLACK

Code: 280103/0

End cap LB 180 in black provides a neat and secure closure for the linear slide and shaft support block on the shaft side.

[Link to the product →](#)



Technical data/items supplied

- ABS, Injection Mould, black
- Aging and oil resistant
- 2 bores \varnothing 22 mm
- Weight = 0.037 kg/piece

Applications

- Press the fastening pins into the profile holes

Assembly

- Front slide cover LB 180
- Front cover of shaft support blocks WB 180