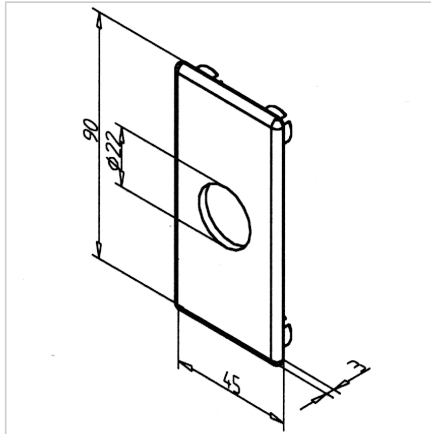
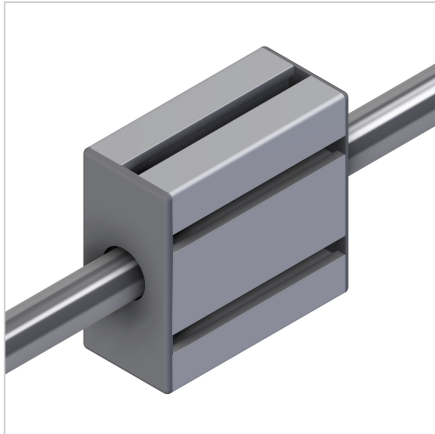


END CAP LB 45 BLACK

Code: 280094/0

End cap LB 45 in black provides a neat and secure closure for the linear slide and shaft support block on the shaft side.

[Link to the product →](#)



Technical data/items supplied

- ABS, Injection Mould, black
- Aging and oil resistant
- 1 centric bore $\varnothing 22$ mm
- Weight = 0.010 kg/piece

Applications

- Press the fastening pins into the profile holes

Assembly

- Front slide cover LB 45
- Face covering of shaft support block WB 45 (shaft side)