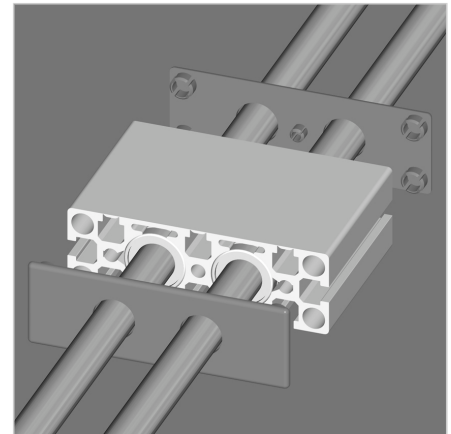
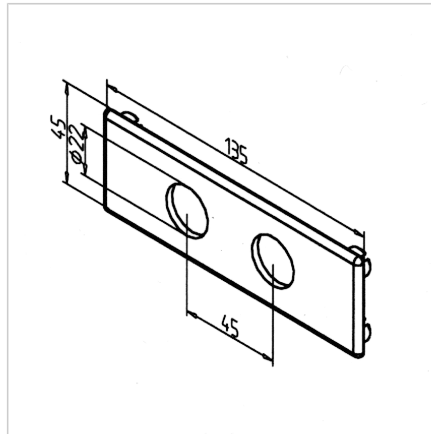
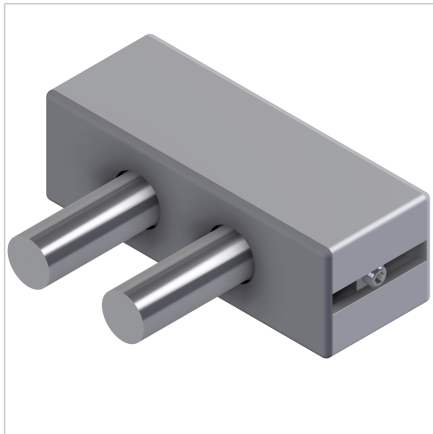


## END CAP LB 45X135 BLACK

Code: 280101/0

End cap LB 45 x 135 in black provides a neat and secure closure for the linear slide and shaft support block on the shaft side.

[Link to the product →](#)



### Technical data/items supplied

- ABS, Injection Mould, black
- Aging and oil resistant
- 2 bores Ø 22 mm
- Weight = 0.010 kg/piece

### Applications

- Press the fastening pins into the profile holes

### Assembly

- Front slide cover LB 45 x 135
- Front cover of shaft support blocks WB 45 x 135