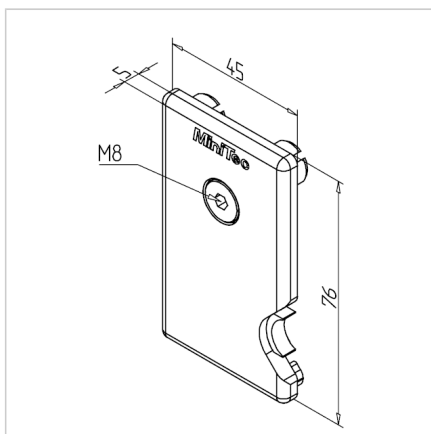


END CAP LR LEFT GREY

Code: 280004/3

Grey left end cap for LR linear systems for protection and a neat finish of linear guides.

[Link to the product →](#)



Technical data/items supplied

- ABS, Injection Mould, grey
- With integrated, sprung wiping and lubrication felt
- Fastening kit
- Also available in black, **part no. 280004/2**
- Weight = 0.031 kg/piece

Applications

- All MiniTec-linear guides LR 12

Assembly

- Insert the lubricated felts and press fastening peg in profile 45 x 45 of the slide plate
- Fasten with supplied hardware
- Insert cover profile between the end caps
- Clean and soak felt according to implementation conditions or use a spare felt **part no. 280004/8**