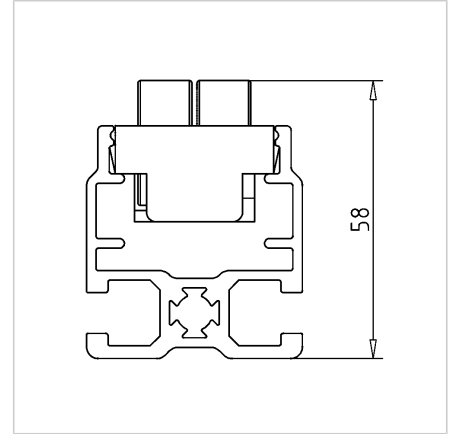
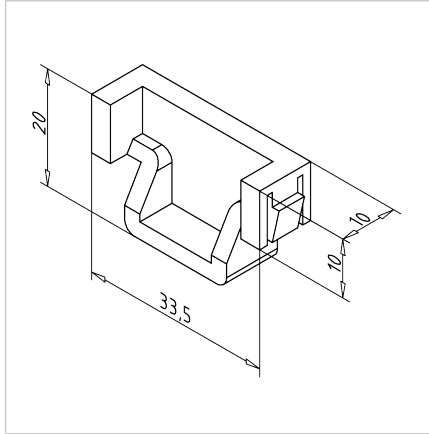
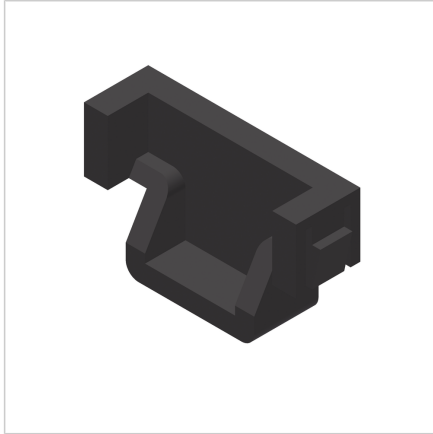


END PIECE-10-FRS

Code: 320687/0

[Link to the product →](#)



Technical data/items supplied

- PA, black
- ESD-compatible
- Weight = 0.004 kg/piece

Applications

- Is used in conjunction with roller element 50 D26-3R-FRS **article no. 320686/0**. 2 each are required, even with several roller elements in a row.