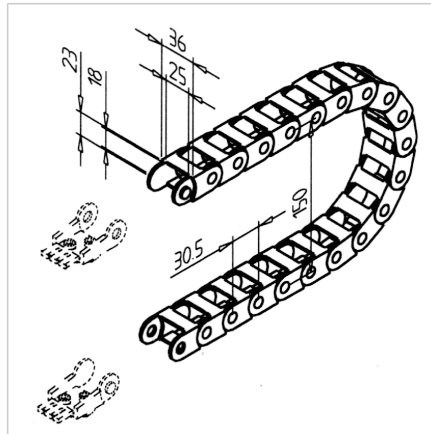


ENERGY CHAIN R

Code: 330410/0

Durable energy chain R for organized cable and hose management, providing wear protection and reliable operation in dynamic systems.

[Link to the product →](#)



Technical data/items supplied

- Plastic, black
- Without fastening kit
- Weight = 0.341 kg/m

Applications

- Energy chain to bind cables and hoses on slides and movable elements

Assembly

- Fixing the energy chain means of connection elements **part no. 330411/0**