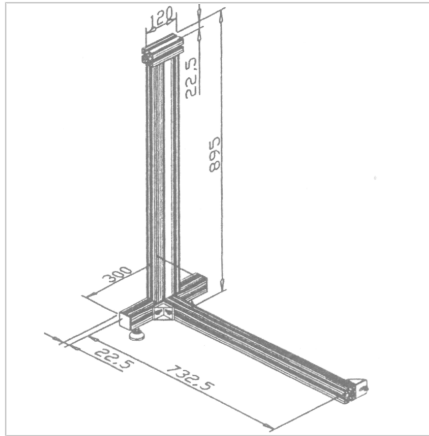


EXPANDED BASE FRAME 200 L=1000

Code: 430040/0

[Link to the product →](#)



Technical data/items supplied

- Aluminium, anodized E6/EV1
- Profile 45 x 45 F, completely assembled
- with fixation material for the connection with the base track and base support
- 2 adjustable feet
- Height 895 mm for standard working height of 950 mm

Applications

- Substructure for transfer systems with standard working height of 950 mm
- Suitable for track width 200

Assembly

- Create lengthwise connection with base support
- Install transverse profile L = 120 mm with mounting angles on the lower profile groove between the base section
- Secure to floor with angles and floor anchors