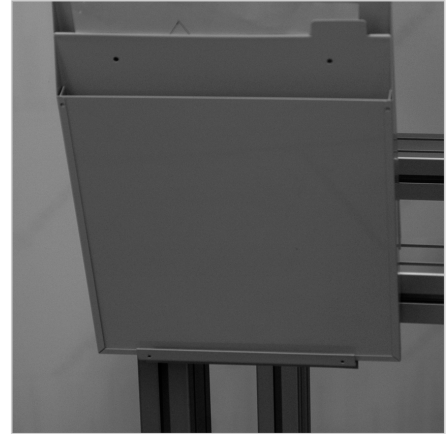
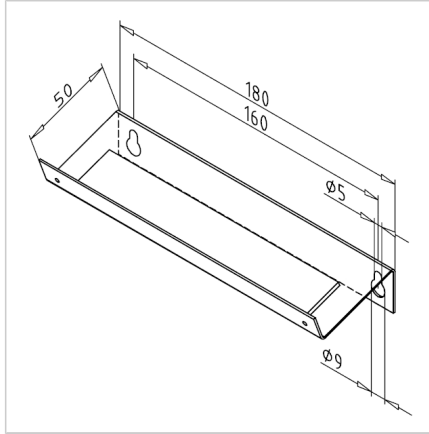
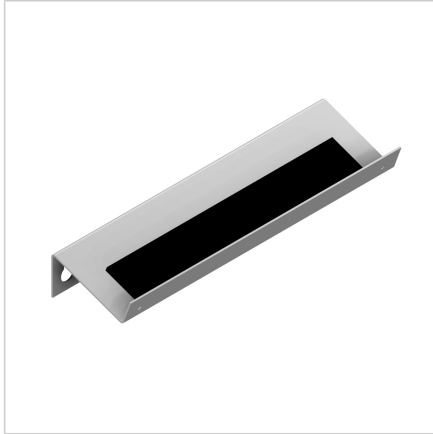


EXTRA BRACKET FOR COMPARTMENTS

Code: 320618/0

[Link to the product →](#)



Technical data/items supplied

- Steel light grey, powder coated
- With magnet strips
- Weight = 0.123 kg/piece

Applications

- For additional stabilisation on the bottom edge of the semi-open compartments

Assembly

- Fasten to the portal structure