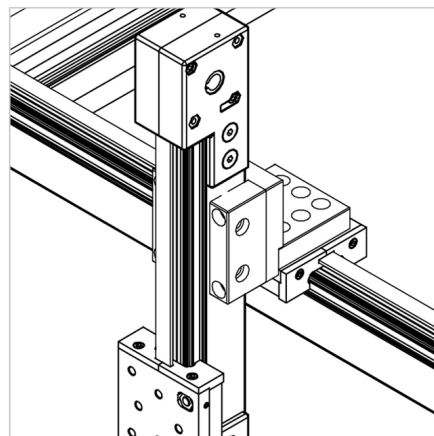
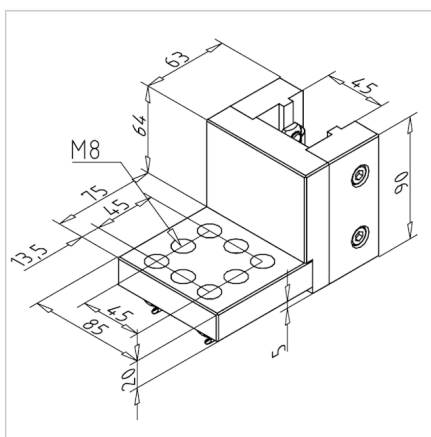
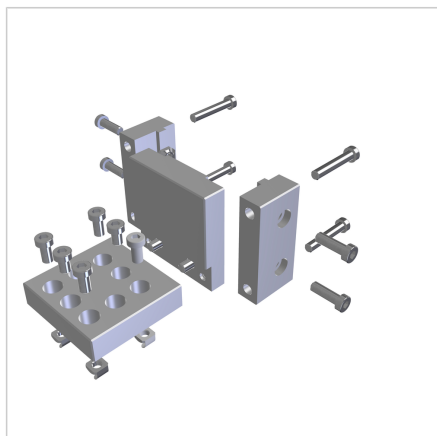


## FASTENING KIT 45 S-A 90°

Code: 280174/0

Mounting kit 45 S-A 90° for linear guides with carriages ensures stable and efficient installation of axes in aluminium structures.

[Link to the product →](#)



### Technical data/items supplied

- Aluminium, anodized E6/EV1
- Adapter plate 90
- With fastening material steel, zinc plated
- Weight = 1.548 kg/piece

### Applications

- For connection of 2 axes under 90°

### Assembly

- Large plate is mounted on slide of:
  - LR6 or
  - LR6 compact or
  - LMS or- LMZ or
  - LR12 z.B. LW 45 / LW 90 or
  - slide of adjusting units
- No plate is mounted on: Carrier profile of the cross-sectional axis