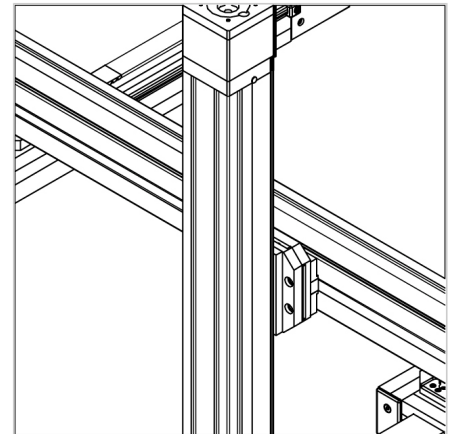
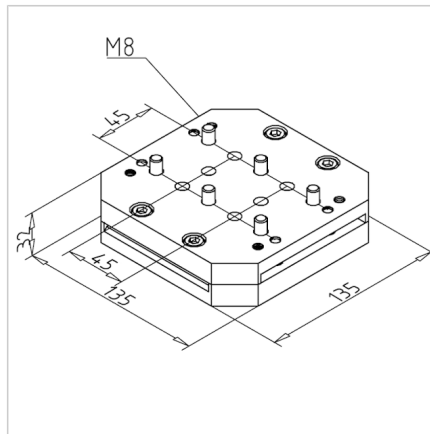
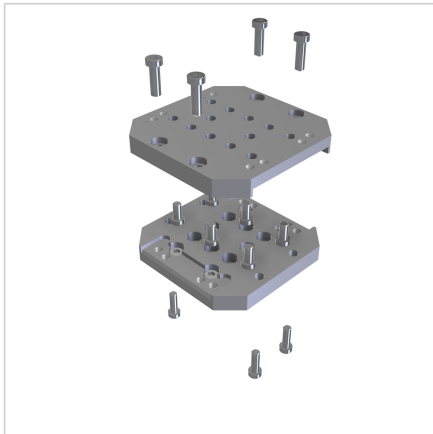


## FASTENING KIT 90 S-S

Code: 280264/0

Mounting kit 90 S-S for linear guides with carriages ensures stable and efficient installation of axes in aluminium structures.

[Link to the product →](#)



### Technical data/items supplied

- Aluminium, anodized E6/EV1
- Adapter plate 90
- With fastening material steel, zinc plated
- Weight = 1.487 kg/piece

### Applications

- For connection of 2 axes under 90°

### Assembly

- Both slide-mounted plates are connected:
  - LMS with LMS / LMZ or
  - LMZ with LMZ / LMS or
  - LR12 with LMS / LMZ