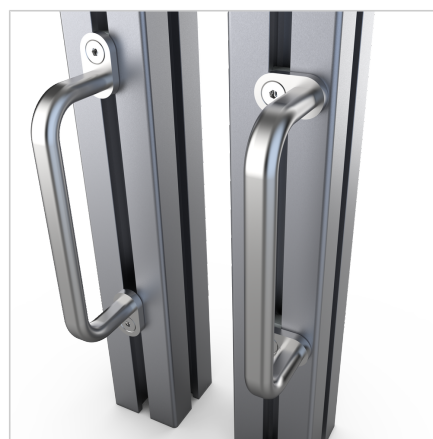
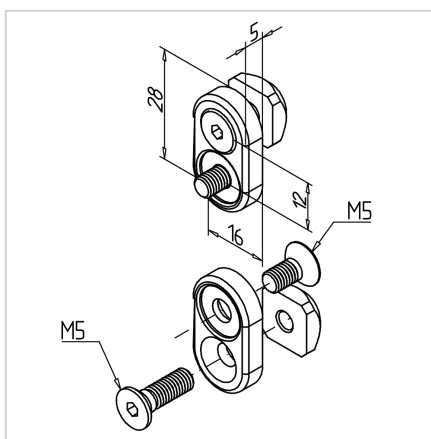


## FASTENING KIT FOR HANDLE AL

Code: 210898/0

Fastening kit ensures secure and easy mounting of aluminium door handles on profile structures. Complete set for fast installation

[Link to the product →](#)



### Technical data/items supplied

- Zinc, Pressure die-casting, powder-coated, silver
- With fastening material steel, zinc plated
- Weight = 0.039 kg/set

### Applications

- For fixing our AL handles in profile groove, without additional machining.
- Variable positioning in the groove's longitudinal direction and by swinging the holder, including in the transverse direction +/- 12 mm
- Fitting for all profiles of profile series 45

### Assembly

- Use the enclosed mounting material to fit the holder on the handle first, then in the profile groove.