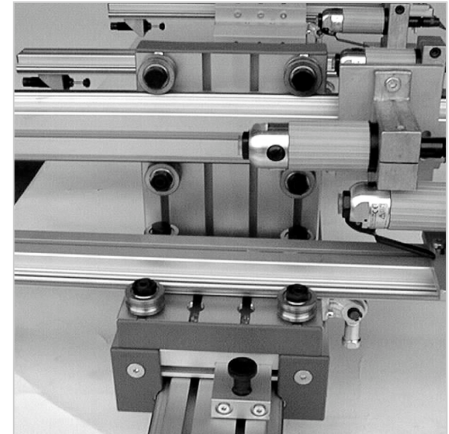
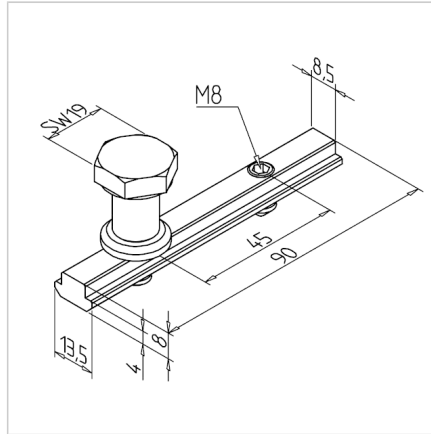
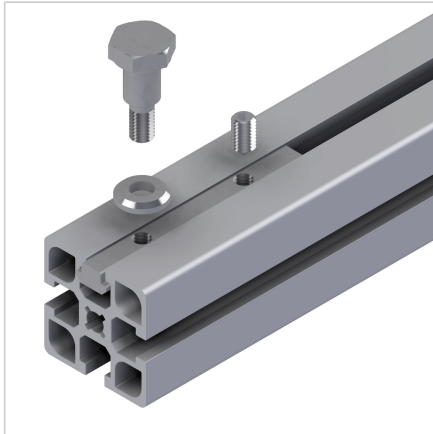


FASTENING KIT LRK INOX

Code: 280021/1

LRK H fastening kit for easy and reliable mounting of components on linear guides.

[Link to the product →](#)



Technical data/items supplied

- Stainless steel
- T-slot stainless with set screw
- Bolt M8 concentric, stainless
- Spacer 3,5 mm stainless
- Weight = 0.100 kg/piece

Applications

- MiniTec linear guides LR 12
- Concentric attachment of ball bearings LR 12

Assembly

- Fit the clamping strips into the underside of the profile of the carriage plate, the threaded pins being fastened into the center of the carriage
- The two threaded holes M8 without threaded pins are designed to receive the mounting bolts
- Pass the bolt through the bearing hole, place the spacer washer, and tighten with key SW 19 to the clamping strip
- Recommended torque: 25 Nm