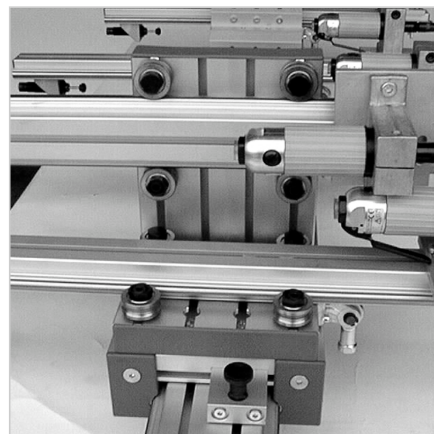
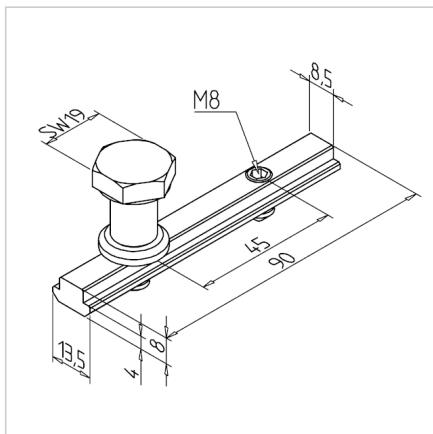
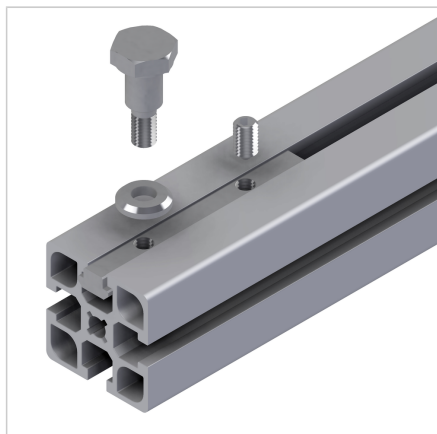


FASTENING KIT LRK

Code: 280021/0

LRK fastening kit for easy and reliable mounting of components on linear guides.

[Link to the product →](#)



Technical data/items supplied

- 1 T-slot bar, steel, zinc plated with set screw
- Bolt M8 concentric, steel, black bronze finish
- Spacer 3.5 mm, polished, steel, black bronze finish
- Stainless version **part no. 280021/1**
- Weight = 0.100 kg/piece

Applications

- MiniTec linear guides LR 12
- Concentric attachment of ball bearings LR 12

Assembly

- Fit the clamping strips into the underside of the profile of the carriage plate, the threaded pins being fastened into the center of the carriage
- The two threaded holes M8 without threaded pins are designed to receive the mounting bolts
- Pass the bolt through the bearing hole, place the spacer washer, and tighten with key SW 19 to the clamping strip
- Recommended torque: 25 Nm