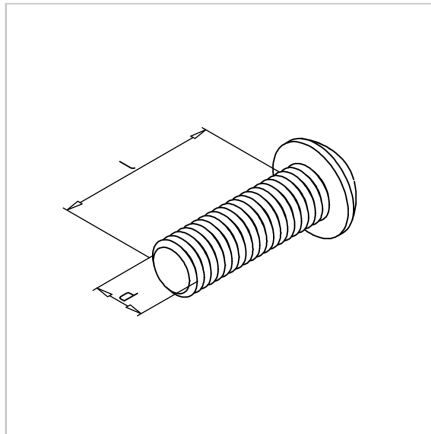


## FILISTER HEAD SCREW M8X25 SF

Code: 211492/0

Filister head screw M8 x 25 SF for strong and reliable fastening of aluminium profiles and industrial components. Easy installation and long durability.

[Link to the product →](#)



### Technical data/items supplied

- Steel, galvanized
- Thread (d) : M 8
- Length (l) : 25 mm
- Self tapping torx screw T40
- Weight = 0.010 kg/piece