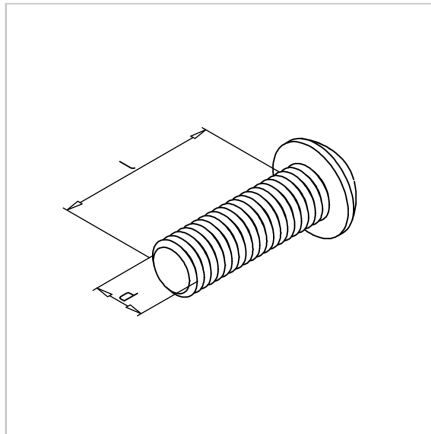


FILISTER HEAD SCREW M8x25

Code: 211189/0

Filister head screw M8 x 25 stainless for strong and reliable fastening of aluminium profiles and industrial components. Easy installation, long durability.

[Link to the product →](#)



Technical data/items supplied

- Stainless steel, bright
- Thread (d) : M 8
- Length (l) : 25 mm
- Weight = 0.010 kg/piece