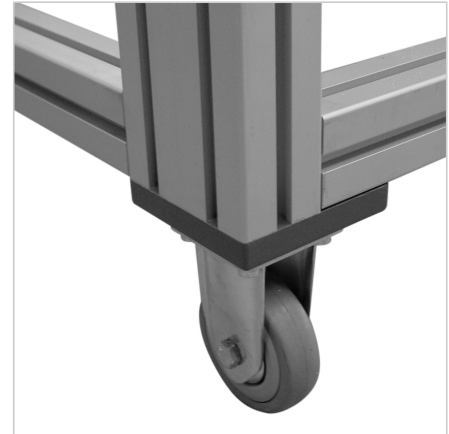
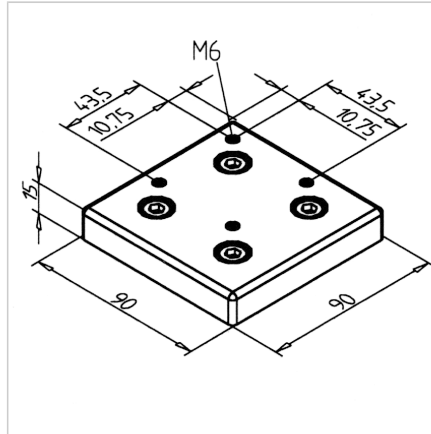
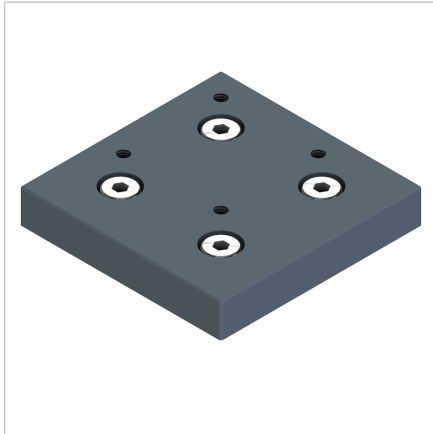


FIXATION PLATE 90 TO WHEEL RIGID TYPE

Code: 211476/0

Fastening plate 90 for secure mounting of fixed castors to aluminum profile constructions.

[Link to the product →](#)



Technical data/items supplied

- Aluminium, Pressure die-casting, powder-coated, grey
- With fastening material steel, zinc plated
- Weight = 0.330 kg/piece

Applications

- To attach the castor **part no. 211475/0** frontally to profile 90 x 90

Assembly

- Fasten to the profile end with supplied hardware